

Body (Interior and Exterior)

BUMPER

FRONT BUMPER

REPLACEMENT BD -2

REAR BUMPER

REPLACEMENT BD -3

CONSOLE

COMPONENTS BD -5

REPLACEMENT BD -6



BUMPER

FRONT BUMPER

- Put on gloves to protect your hands.
- Take care not to bend or scratch the cover and other parts.
- Replace any damage clips.

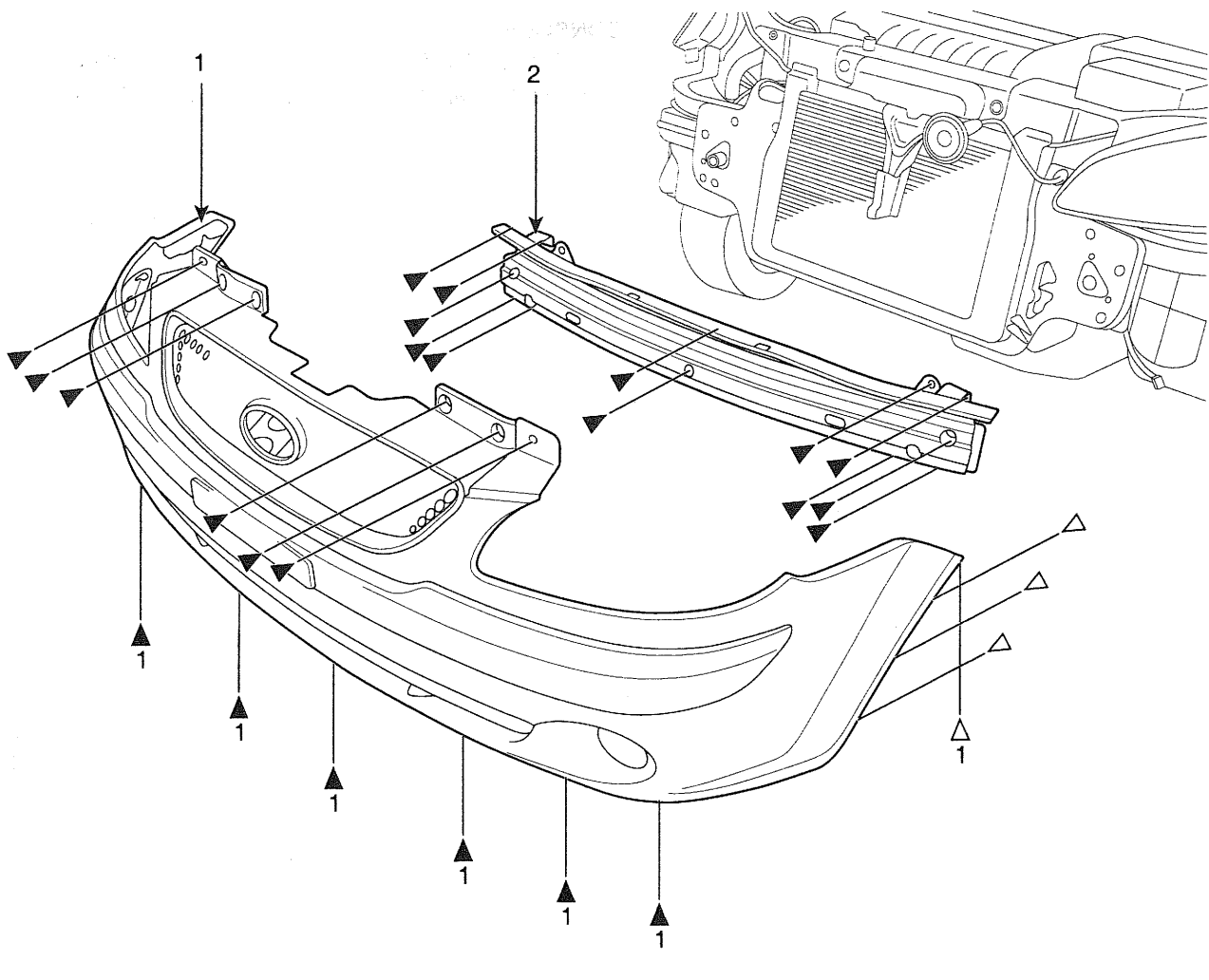
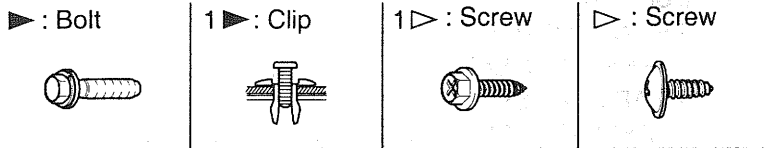
REPLACEMENT EOF7C583

NOTE

- When prying with a flat-tip screwdriver, wrap it with protective tape around the related parts, to prevent damage.

1. After loosening the mounting clips and bolts, remove the front bumper.
2. Installation is the reverse of removal.

Fastener Locations



1. Front bumper cover
2. Front bumper rail

REAR BUMPER

REPLACEMENT ECC9DEE9

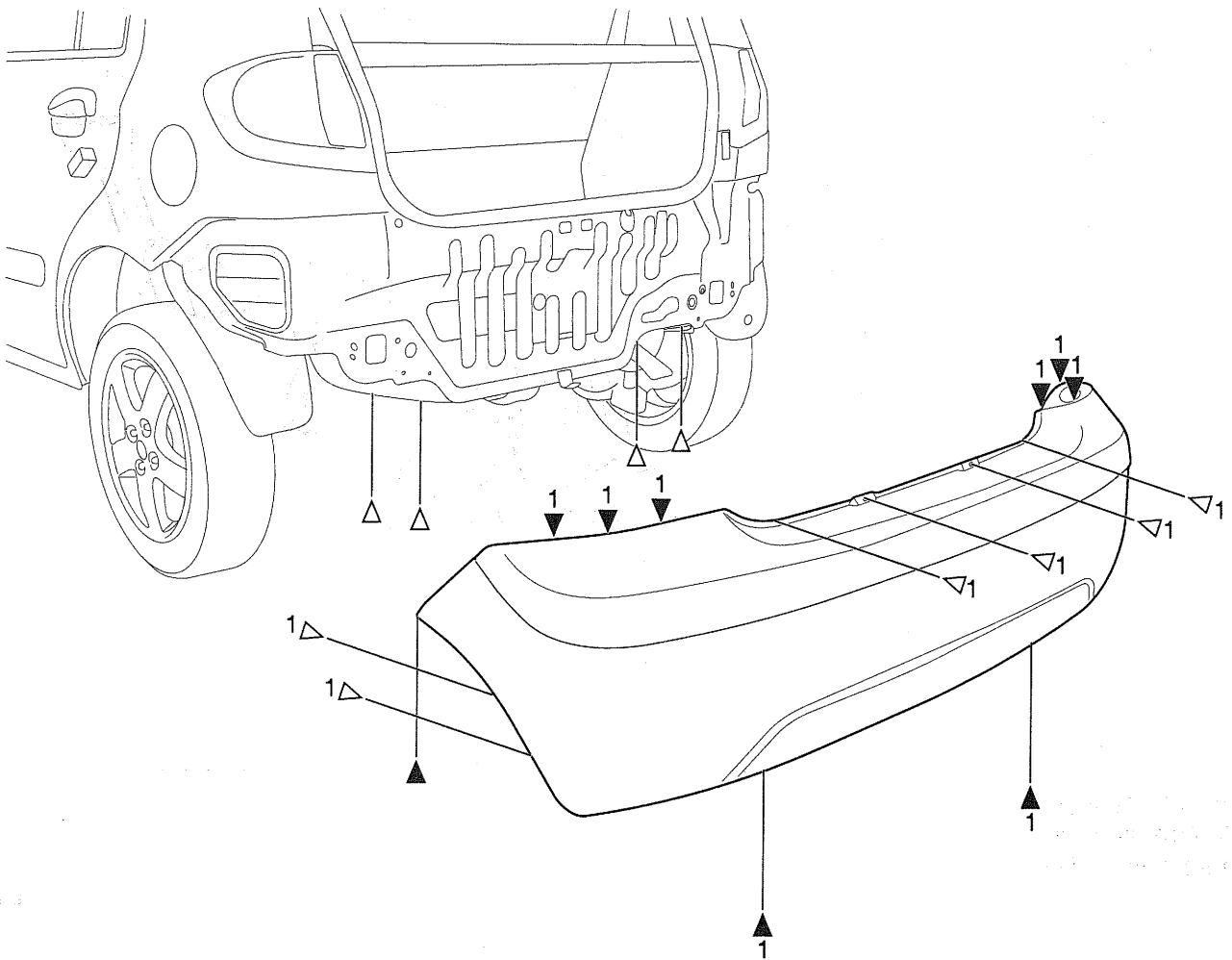
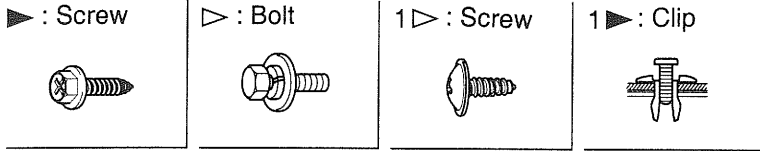
- Put on gloves to protect your hands.
- Take care not to bend or scratch the cover and other parts.
- Replace any damage clips.

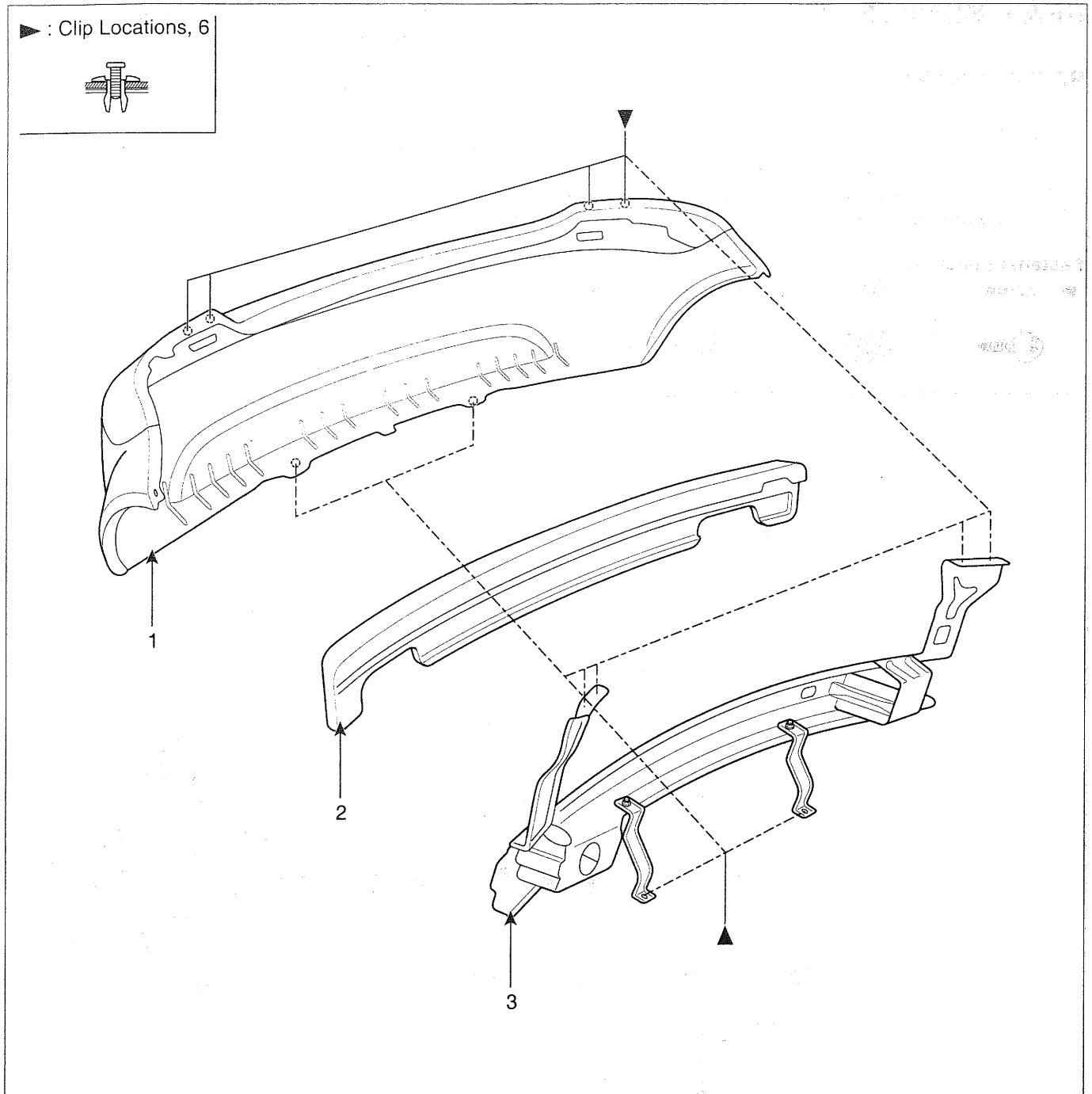
NOTE

- When prying with a flat-tip screwdriver, wrap it with protective tape around the related parts, to prevent damage.

1. After loosening the mounting clips and bolts, remove the rear bumper.
2. Installation is the reverse of removal.

Fastener Locations



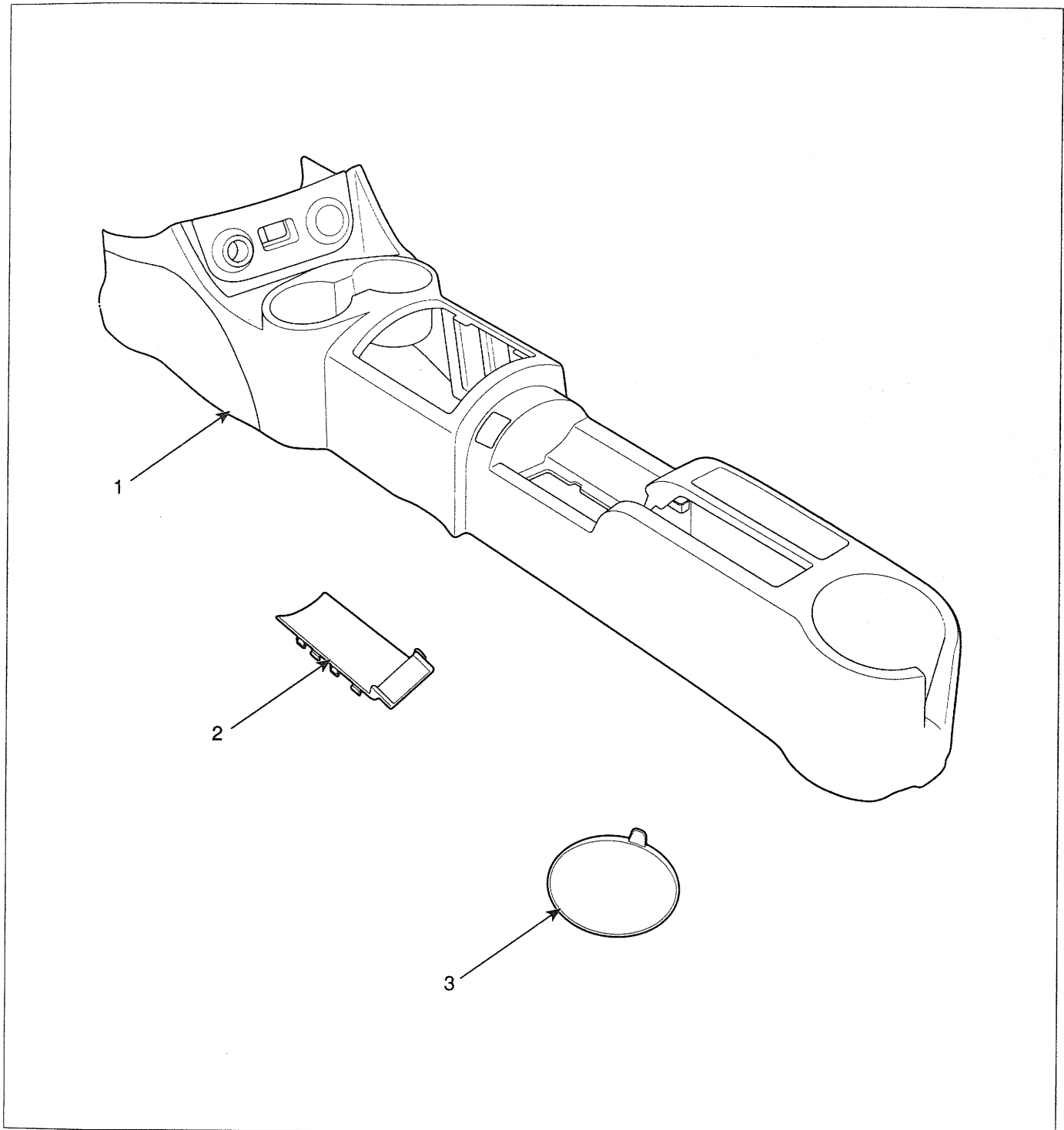


- 1. Rear bumper cover
- 2. Energy absorber
- 3. Rear bumper rail

INTERIOR

CONSOLE

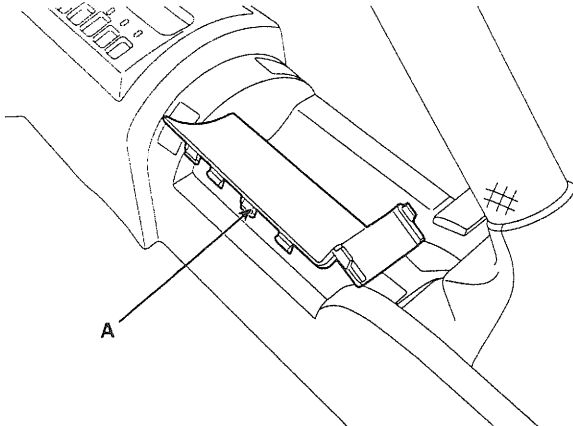
COMPONENTS EDDB2904



- 1. Console assembly
- 2. Parking brake cover
- 3. Pad

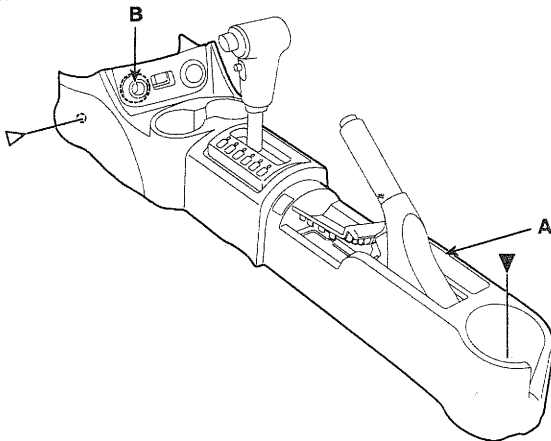
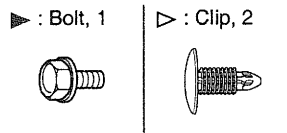
REPLACEMENT E189EE33

1. Using a screwdriver, remove the parking brake cover (A).



KPDF100E

2. Loosen the console mounting bolt and clips.
3. After loosening the connector (B), remove the console assembly (A).

Fastener Locations

ESPG005A

4. Installation is the reverse of removal.