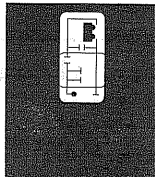


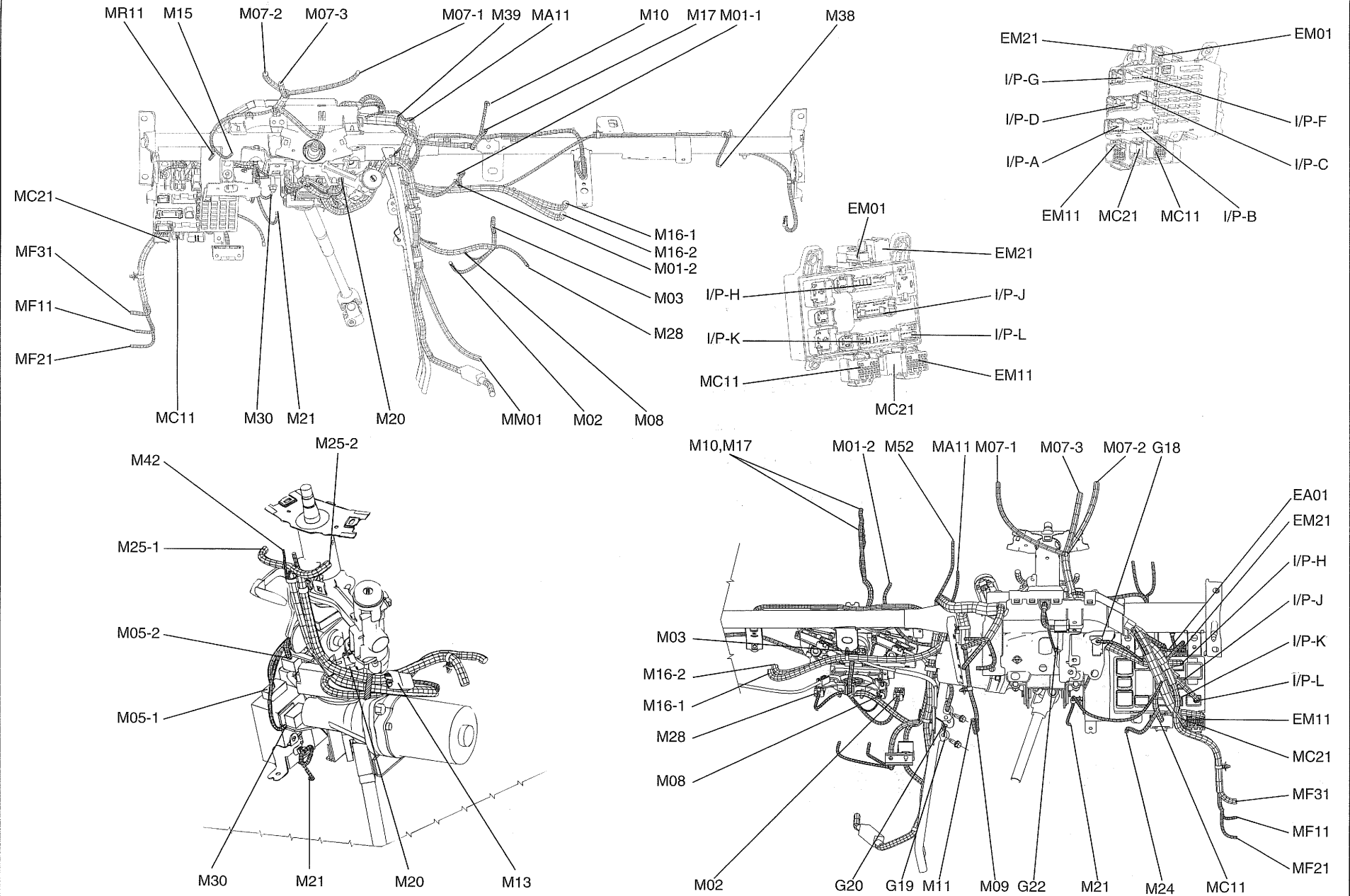
HARNESSES LAYOUTS

CONTROL HARNESS.....	HL-7
DOOR HARNESS.....	HL-13
ENGINE HARNESS.....	HL-5
FLOOR & AIR BAG HARNESS.....	HL-3
MAIN HARNESS.....	HL-1
TAIL GATE HARNESS.....	HL-15



MAIN HARNESS (1)

HL-1



MAIN HARNESS

MAIN HARNESS (2)

HL-2

MAIN HARNESS

M01-1 Audio
M01-2 Audio (Remocon)
M02 A/C switch
M03 Blower switch
M04 Buzzer
M05-1 EPS control module
M05-2 EPS control module
M06 Chime bell
M07-1 Instrument cluster
M07-2 Instrument cluster
M07-3 Instrument cluster
M09 Door lock relay
M10 Digital clock
M11 Door unlock relay
M12 Door warning switch (W/O EPS)
M13 Door warning switch (With EPS)
M14-1 ETACM
M14-2 ETACM
M15 Front fog lamp switch
M17 Hazard switch
M18 Head lamp leveling switch
M19 Vertical resistor
M20 Ignition switch
M21 Immobilizer control module
M22 Defogger timer
M23 Joint connector
M24 Data link conector
M25-1 Multifunction switch (LHD)
M25-2 Multifunction switch (LHD)
M25-3 Multifunction switch
M25-4 Multifunction switch (RHD)
M25-5 Multifunction switch (RHD)
M26 Rheostat
M27 Rear fog lamp switch
M28 Rear defogger switch
M29 Seat belt timer
M30 Torque sensor

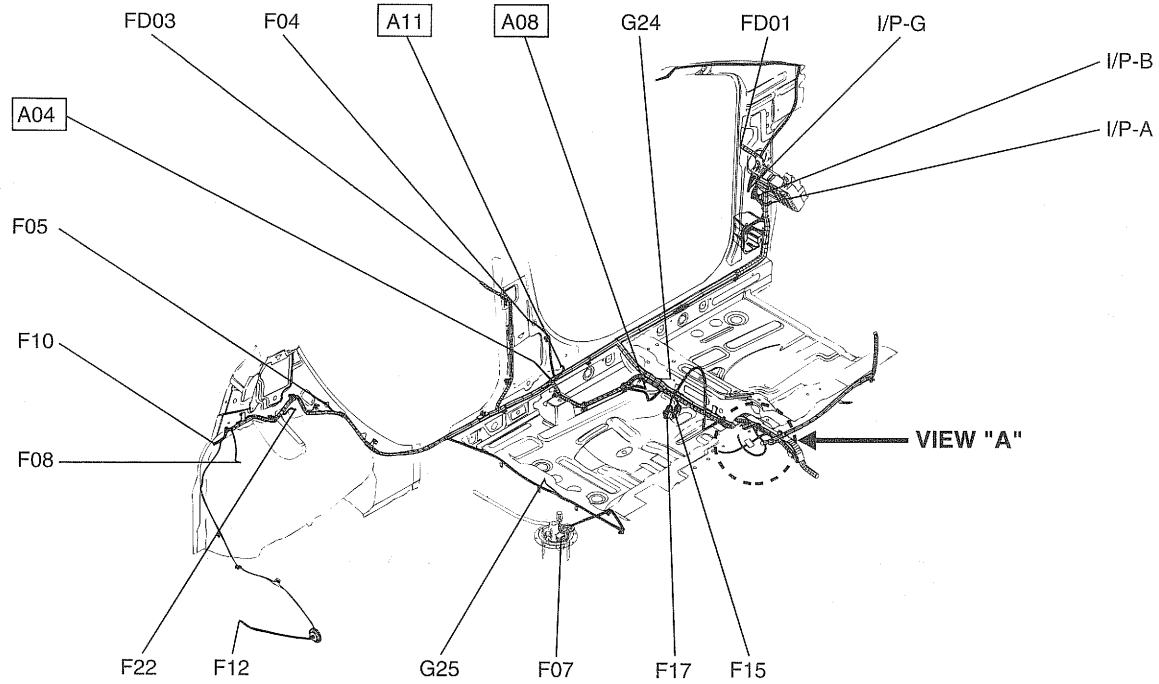
M37 Steering angle sensor
M38 Glove box lamp
M39 ODO trip mode switch
M40 Sear belt buzzer
M41 Joint connector
EM01 Connection with ENGINE harness
EM11 Connection with ENGINE harness
EM21 Connection with ENGINE harness
I/P-H Connection with I/P JUNCTION BOX
I/P-J Connection with I/P JUNCTION BOX
I/P-K Connection with I/P JUNCTION BOX
I/P-L Connection with I/P JUNCTION BOX
MA11 Connection with AIR BAG harness
MC01 Connection with CONTROL harness
MC11 Connection with CONTROL harness
MC21 Connection with CONTROL harness
MF11 Connection with FLOOR harness
MF21 Connection with FLOOR harness
MF31 Connection with FLOOR harness
MM01 Connection with CONSOLE EXT. harness
G18 Ground
G19 Ground
G20 Ground
G21 Ground
G22 Ground

CONSOLE EXT. HARNESS

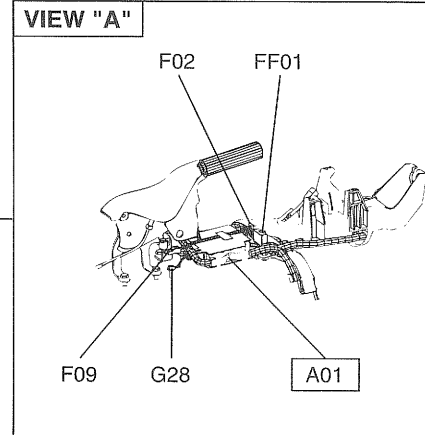
M51 Cigarette lighter
M53 Power outlet #1
MM01 Connection with MAIN harness

FLOOR & AIR BAG HARNESS (1)

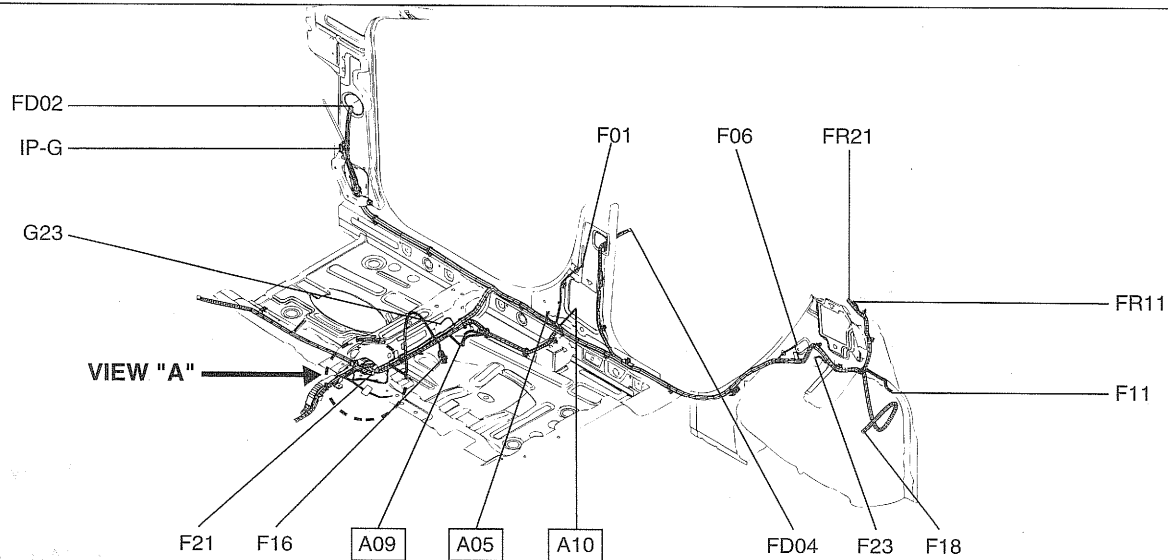
LH



VIEW "A"



RH



FLOOR & AIR BAG HARNESS

FLOOR & AIR BAG HARNESS (2)

HL-4

FLOOR HARNESS

F01	Assist door switch
F02	A/T shift lever switch
F04	Driver door switch
F05	Rear door switch LH
F06	Rear door switch RH
F07	Fuel sender & Fuel pump motor
F08	Luggage lamp
F09	Parking brake switch
F10	Rear combination lamp LH
F11	Rear combination lamp RH
F12	Rear fog lamp
F13	Rear speaker LH (3DR)
F14	Rear speaker RH (3DR)
F15	Seat belt switch
F16	Assist seat warmer
F17	Driver seat warmer
F18	Power outlet #2
F21	Yawrate sensor
F22	Rear wheel sensor LH
F23	Rear wheel sensor RH
FD01	Connection with DRIVER DOOR harness
FD02	Connection with ASSIST DOOR harness
FD03	Connection with REAR DOOR harness (LH)
FD04	Connection with REAR DOOR harness (RH)
FF01	Connection with FLOOR EXT. harness
FR11	Connection with TAIL GATE EXT. harness
FR21	Connection with TAIL GATE EXT. harness
I/P-A	Connection with I/P JUNCTION BOX
I/P-B	Connection with I/P JUNCTION BOX
MF11	Connection with MAIN harness
MF21	Connection with MAIN harness
MF31	Connection with MAIN harness
G23	Ground
G24	Ground
G25	Ground

FLOOR EXT. HARNESS

F20	ESP switch
F31	Driver seat warmer switch
F32	Assist seat warmer switch
FF01	Connection with FLOOR EXT. harness

AIR BAG HARNESS

A01	SRS control module
A03	Driver air bag
A04	Driver seat belt pretensioner
A05	Passenger satellite sensor
A06	Passenger air bag cut off switch
A07	Passenger air bag
A08	Driver side air bag
A09	Passenger side air bag
A10	Passenger seat belt pretensioner
A11	Driver satellite sensor
MA11	Connection with MAIN harness
G28	Ground

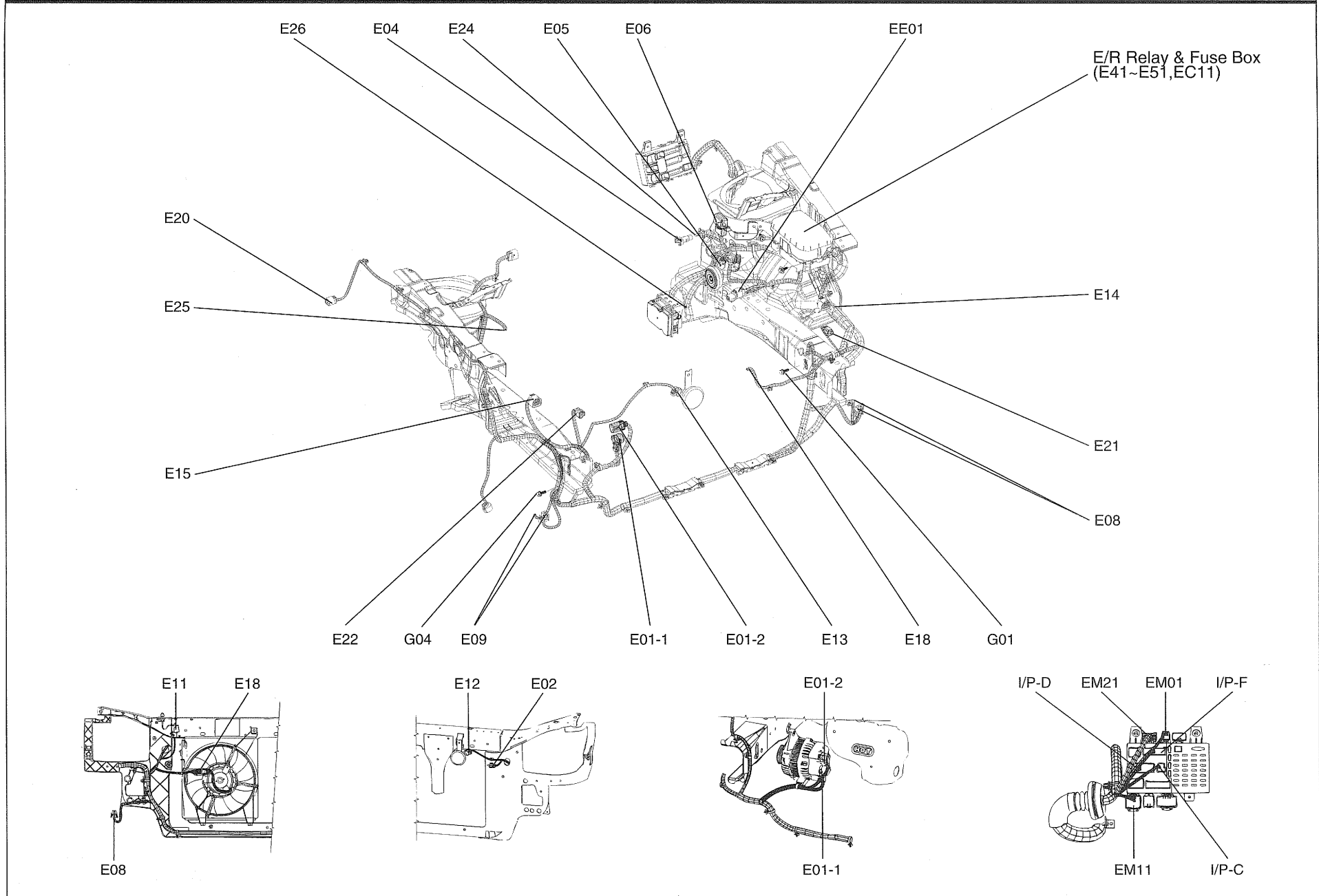
ROOF HARNESS

R02	Map lamp
R03	Room lamp
I/P-G	Connection with I/P JUNCTION BOX
RR01	Connection with SUNROOF harness

SUNROOF HARNESS

R04	Sunroof motor
R05	Overhead console assembly
R06	Sunroof controller
RR01	Connection with ROOF harness

ENGINE HARNESS (1)



ENGINE HARNESS

E01-1 Generator (B+)
 E01-2 Generator
 E02 Ambient sensor
 E03 A/C compressor (GSL)
 E04 Brake oil level sensor
 E05 Burglar alarm horn
 E06 Multipurpose check connector
 E07 Fuel cut solenoid
 E08 Front fog lamp LH
 E09 Front fog lamp RH
 E10 Front wiper motor (AUS)
 E10 Front wiper motor (RHD)
 E11 Hood switch
 E12 Horn
 E13 Horn (Dual)
 E14 Head lamp LH
 E15 Head lamp RH
 E16 Joint connector
 E17 Power steering switch
 E18 Radiator fan motor
 E19 Side repeater lamp LH
 E20 Side repeater lamp RH
 E21 Turn signal lamp LH
 E22 Turn signal lamp RH
 E23 Washer motor
 E24 Front wheel sensor LH
 E25 Front wheel sensor RH
 E26 ABS control module
 E27 ESP control module
 E41 Blower relay
 E42 Radiator fan relay #1
 E43 A/C relay
 E44 Horn relay
 E45 Fuel pump relay
 E46 Engine control relay
 E47 Radiator fan relay #2
 E48 Start relay
 E49 Burglar alarm relay
 E51 Fuel pump check connector

EE01 Connection with BATTERY harness
 EE02 Connection with BATTERY harness
 EE03 Connection with BATTERY harness
 EC11 Connection with CONTROL harness
 EC21 Connection with CONTROL harness (DSL)
 EM01 Connection with MAIN harness
 EM11 Connection with MAIN harness
 EM21 Connection with MAIN harness
 I/P-C Connection with I/P JUNCTION BOX
 I/P-D Connection with I/P JUNCTION BOX
 I/P-F Connection with I/P JUNCTION BOX
 G01 Ground
 G02 Ground
 G03 Ground
 G04 Ground

BATTERY HARNESS (1.4L/1.6L)

E31 Start solenoid
 E33 Back-up lamp switch
 EE01 Connection with ENGINE harness

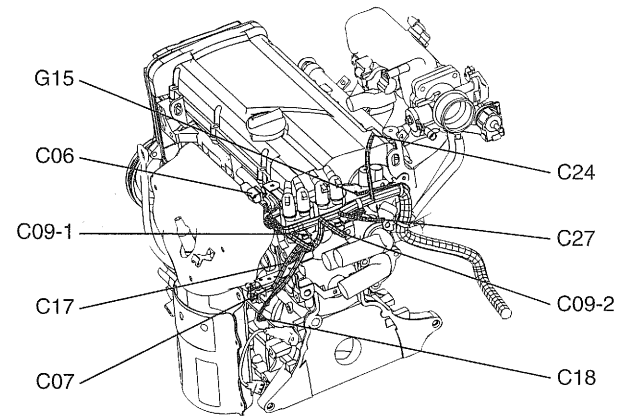
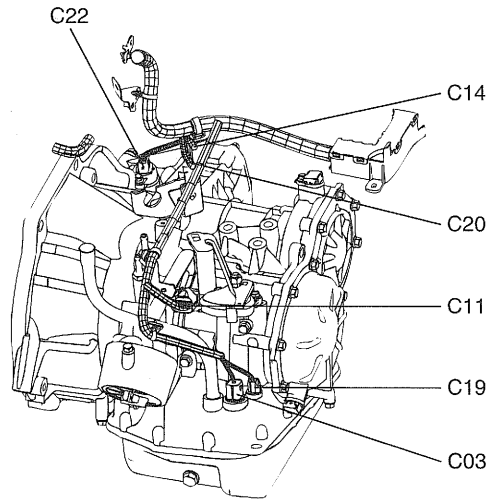
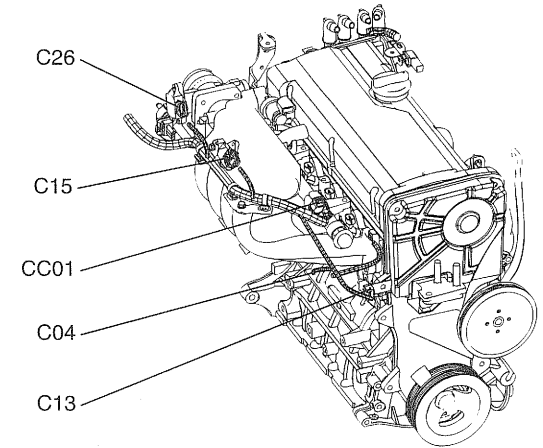
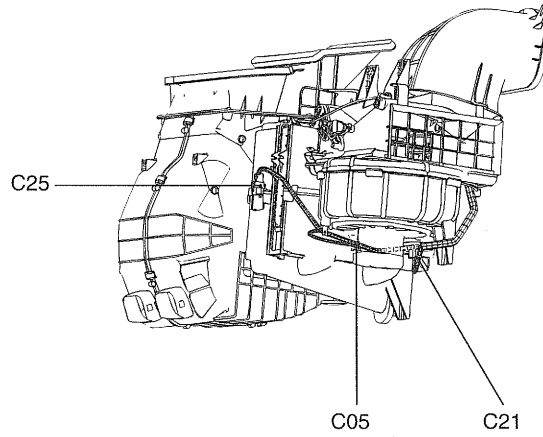
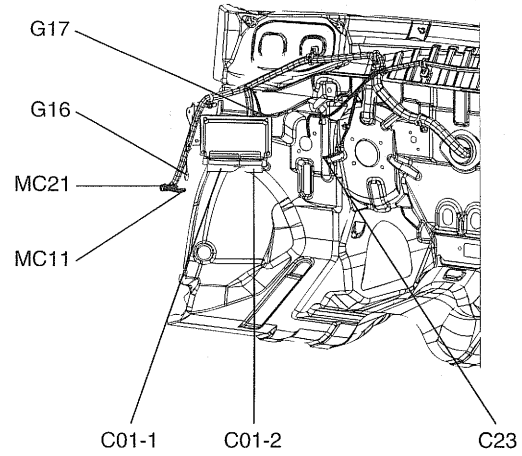
BATTERY HARNESS (1.1L)

E01-1 Generator (B+)
 E01-2 Generator
 E31 Start solenoid
 E33 Back-up lamp switch
 EE02 Connection with ENGINE harness

BATTERY HARNESS (DSL)

E01-1 Generator (B+)
 E01-2 Generator
 E03 A/C compressor
 E31 Start solenoid
 E32 Oil pressure switch
 EE03 Connection with ENGINE harness

CONTROL HARNESS (1.4L/1.6L) (1)



CONTROL HARNESS

CONTROL HARNESS (1.4L/1.6L) (2)

HL-8

CONTROL HARNESS

C01-1	PCM
C01-2	PCM
C02	Accelerator sensor
C03	A/T solenoid valve
C04	A/C compressor
C05	Blower motor
C06	Condensor
C07	Crankshaft position sensor
C08	Front wiper motor
C09-1	Ignition coil #1
C09-2	Ignition coil #2
C10	A/C pressure transducer
C11	Transaxle range switch
C12	Ignition lock switch
C13	Knock sensor
C14	Kick down switch
C15	Manifold absolute pressure sensor
C16	Oxygen sensor (Down)
C17	Oxygen sensor (Up)
C18	Oil pressure switch
C19	Oil temperature sensor
C20	Pulse generator
C21	Blower resistor
C22	Vehicle speed sensor (A/T)
C22	Vehicle speed sensor (M/T)
C23	Stop lamp switch
C24	Camshaft position sensor
C25	Thermostatic switch
C26	Throttle position sensor
C27	Engine coolant temperature sensor & Sender

CC01	Connection with INJECTOR harness
EC11	Connection with ENGINE harness
MC11	Connection with MAIN harness
MC21	Connection with MAIN harness
G15	Ground
G16	Ground
G17	Ground

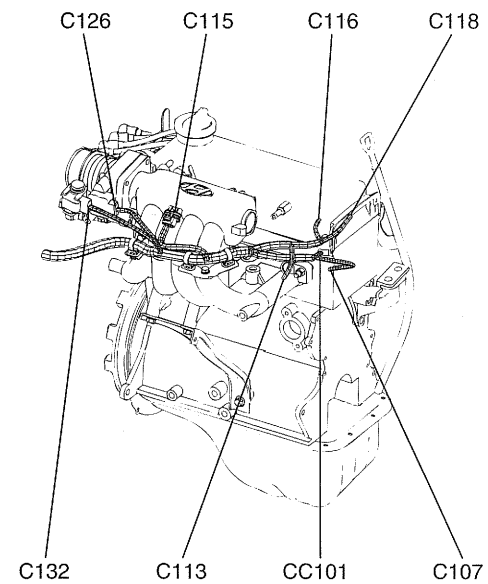
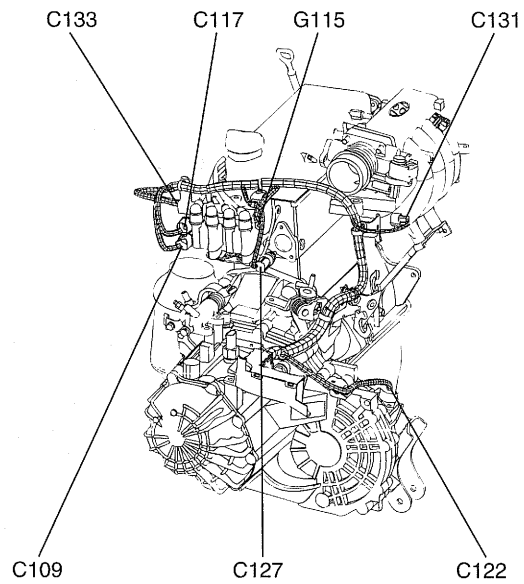
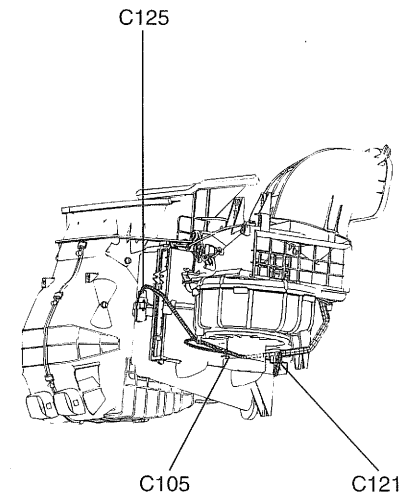
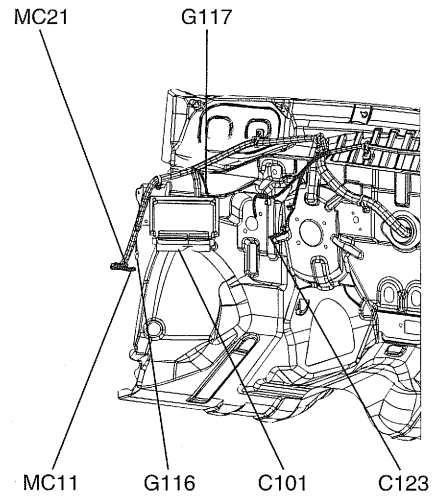
INJECTOR HARNESS

C51-1	Injector #1
C51-2	Injector #2
C51-3	Injector #3
C51-4	Injector #4
C52	Idle speed control actuator
C53	Canister purge solenoid valve
CC01	Connection with CONTROL harness

CONTROL HARNESS

CONTROL HARNESS (1.1L) (3)

HL-9



CONTROL HARNESS

CONTROL HARNESS (1.1L) (4)

HL-10

CONTROL HARNESS

C101	ECM
C102	Accelerator sensor
C105	Blower motor
C107	Cranksahft position sensor
C108	Front wiper motor
C109	Ignition coil
C110	A/C pressure transducer
C113	Knock sensor
C115	Manifold absolute pressure sensor
C116	Oxygen sensor (Down)
C117	Oxygen sensor (Up)
C118	Oil pressure switch
C121	Blower resistor
C122	Vehicle speed sensor (M/T)
C123	Stop lamp switch
C124	Camshaft position sensor
C125	Thermostatic switch
C126	Throttle position sensor
C127	Engine coolant temperature sensor & Sender
C131	Canister purge solenoid valve
C132	Idle speed control actuator

CC101	Connection with INJECTOR harness
EC11	Connection with ENGINE harness
MC11	Connection with MAIN harness
MC21	Connection with MAIN harness
G115	Ground
G116	Ground
G117	Ground

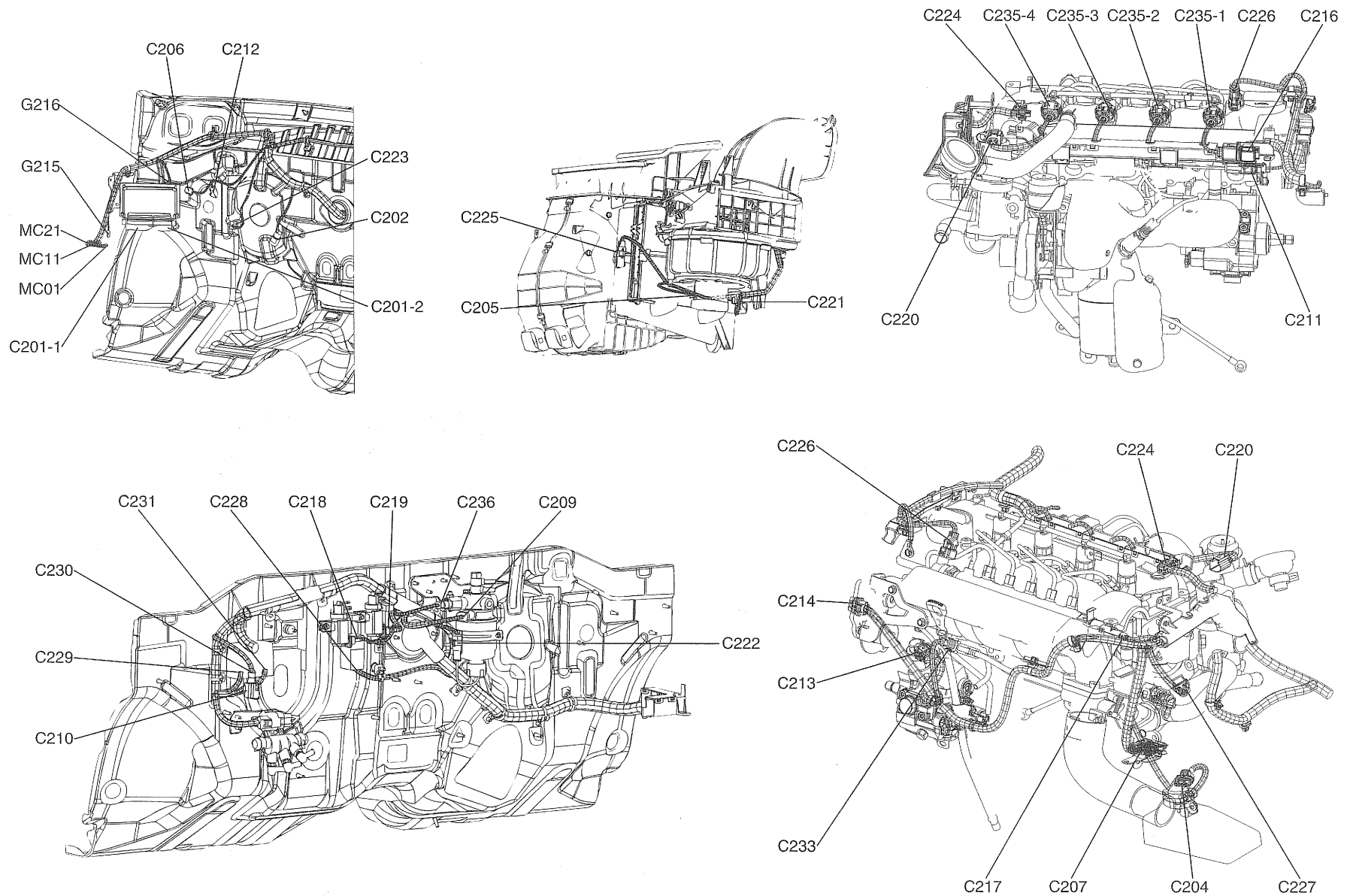
INJECTOR HARNESS

C151-1	Injector #1
C151-2	Injector #2
C151-3	Injector #3
C151-4	Injector #4
CC101	Connection with CONTROL harness

CONTROL HARNESS

CONTROL HARNESS (DSL) (5)

HL-11



CONTROL HARNESS

CONTROL HARNESS (DSL) (6)

HL-12

CONTROL HARNESS

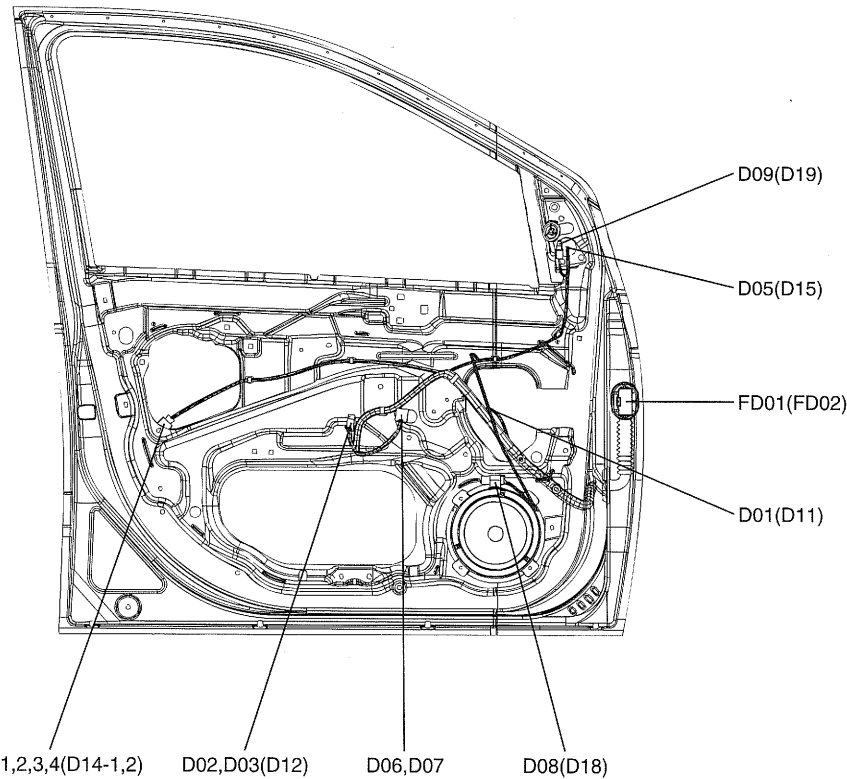
C201-1	ECM
C201-2	ECM
C202	Accelerator pedal sensor
C203	Fuel filter heater relay
C204	Boost pressure sensor
C205	Blower motor
C206	Clutch switch
C207	Crankshaft position sensor
C208	Front wiper motor
C209	Fuel filter heater
C210	A/C pressure transducer
C211	Glow plug
C212	Ignition lock switch
C213	Fuel pressure valve
C214	Variable swirl actuator
C215	Mass air flow sensor
C216	Lambda sensor
C217	Rail pressure sensor
C218	VGT actuator
C219	Throttle flap actuator
C220	EGR actuator
C221	Blower resistor
C222	Fuel filter warning switch
C223	Stop lamp switch
C224	Camshaft position sensor
C225	Thermostatic switch
C226	Rail pressure valve
C227	Engine coolant temperature sensor & Sender
C228	Glow plug relay
C229	PTC heater relay #1
C230	PTC heater relay #2
C231	PTC heater relay #3
C232	PTC heater control module
C233	Fuel temperature sensor
C234	PTC heater
C235-1	Injector #1
C235-2	Injector #2
C235-3	Injector #3
C235-4	Injector #4
C236	Fuel filter thermo switch

CC201	Connection with U-ENG EXT. harness
EC11	Connection with ENGINE harness
EC21	Connection with ENGINE harness
MC01	Connection with MAIN harness
MC11	Connection with MAIN harness
MC21	Connection with MAIN harness
G216	Ground
G215	Ground

ENG EXT. HARNESS

C241	Back-up lamp switch
C242	Neutral switch
C243	Vehicle speed sensor
CC201	Connection with CONTROL harness

DOOR HARNESS (1)



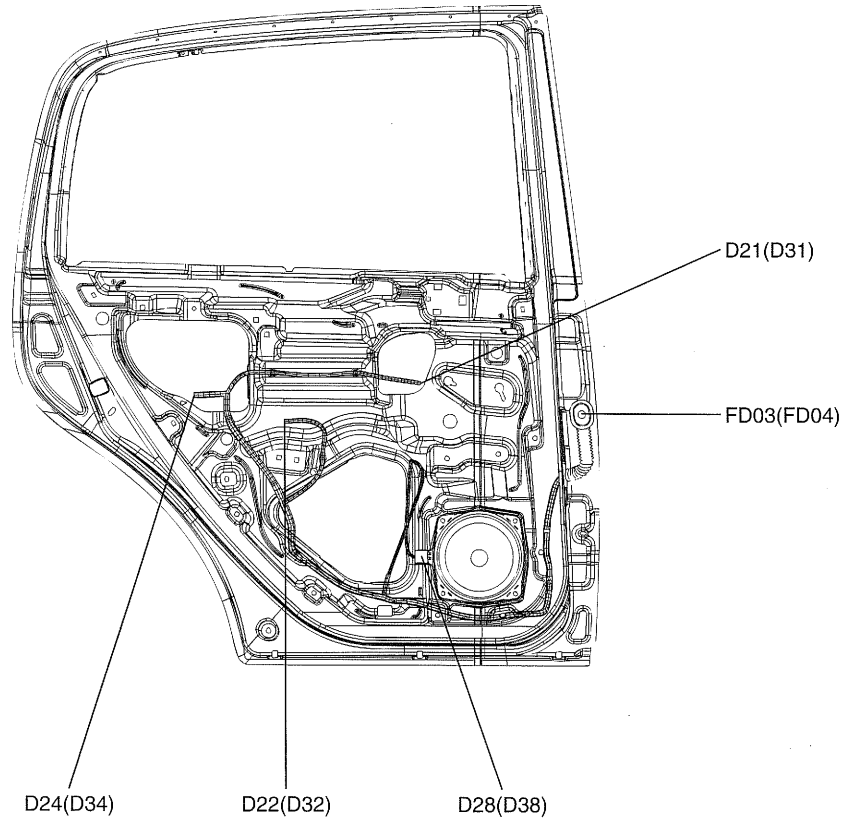
DRIVER DOOR HARNESS

- D01 Driver power window motor
- D02 Power window main switch (FR+RR)
- D03 Power window main switch (FR)
- D04-1 Driver door lock actuator (W/O ETACM,LHD)
- D04-2 Driver door lock actuator (With ETACM,LHD)
- D04-3 Driver door lock actuator (W/O ETACM,RHD)
- D04-4 Driver door lock actuator (With ETACM,RHD)
- D05 Driver outside mirror & Mirror folding motor
- D06 Power outside mirror & Mirror folding switch
- D07 Power outside mirror switch
- D08 Driver speaker
- D09 Driver tweeter speaker
- FD01 Connection with FLOOR harness

ASSIST DOOR HARNESS

- D11 Assist power window motor
- D12 Assist power window switch
- D14-1 Assist door lock actuator (LHD)
- D14-2 Assist door lock actuator (RHD)
- D15 Assist outside mirror & Mirror folding motor
- D18 Assist speaker
- D19 Assist tweeter speaker
- FD02 Connection with FLOOR harness

() : Assist



() : RH

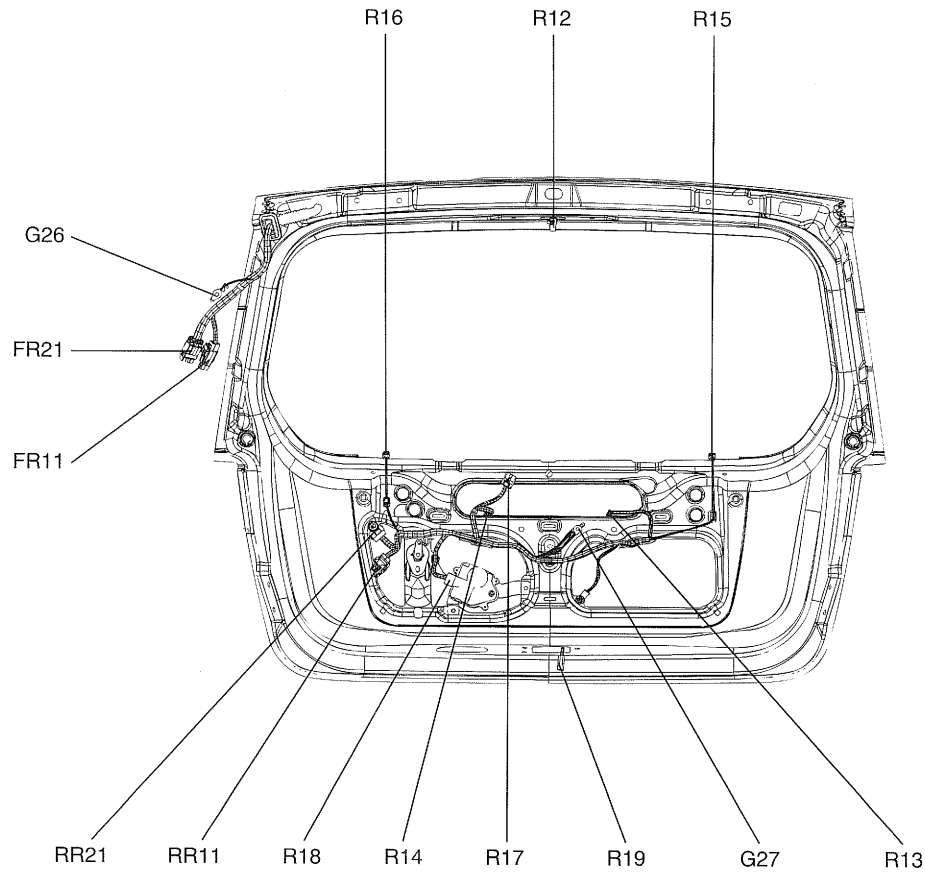
REAR DOOR HARNESS LH

- D21 Rear power window motor LH
- D22 Rear power window switch LH
- D24 Rear door lock actuator LH
- D28 Rear speaker LH
- FD03 Connection with FLOOR harness

REAR DOOR HARNESS RH

- D31 Rear power window motor RH
- D32 Rear power window switch RH
- D34 Rear door lock actuator RH
- D38 Rear speaker RH
- FD04 Connection with FLOOR harness

TAIL GATE HARNESS (1)



TAIL GATE HARNESS

- R13 License lamp LH
- R14 License lamp RH
- R15 Rear window defogger (-)
- R16 Rear window defogger (+)
- R17 Rear wiper motor
- R18 Tail gate lock actuator
- R19 Tail gate switch
- RR11 Connection with TAIL GATE EXT. harness
- RR21 Connection with TAIL GATE EXT. harness
- G27 Ground

TAIL GATE EXT. HARNESS

- R11 High-mounted stop lamp (Glass)
- R12 High-mounted stop lamp (Spoiler)
- FR11 Connection with FLOOR harness
- FR21 Connection with FLOOR harness
- RR11 Connection with TAIL GATE harness
- RR21 Connection with TAIL GATE harness
- G26 Ground